

# BUTTER EXTRUDER 100 TO 300 KG/H



Double screw hopper



Protective grille



Adjustable slicing



Optional: interchangeable mold heads



Easy clean



*Photos for information only*

## FOR WHAT USE?

This extruder is used to mold slabs or clods. This pusher, also known as an extruder, forms a strand of butter on a PVC strip. The strand is sliced using cutting wires with adjustable positions for weight adjustment. Interchangeable heads for different formats: round, rectangle, corrugated oval.

Machine mounted on 4 mobile wheels, easy to use, dismantle and clean.

## TECHNICAL DETAILS

Weight 138 kg

Supplied with 3 round heads diam. 48, 65 and 80 mm

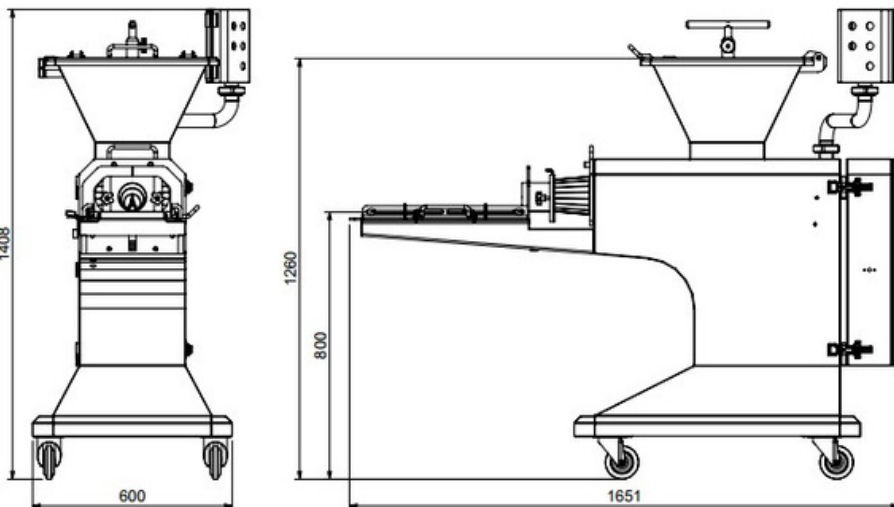
Useful belt length: 40 cm

Power 0.75 KW 380 Tri + T + N

## OPTIONS

Custom molding heads

On-demand format design



REFERENCE : BOU010



# TOURAGE BUTTER EXTRUDER AND/OR LARGE FORMATS 500KG/h nominal



*Photos for information only*

## FOR WHAT USE?

This extruder can mold various shapes, from 250g to 2kg. These shapes can be as varied as butter for pastry-making, but can also be more imposing, square or rectangular, like the example shown here. This pusher, also known as an extruder, forms a strand of butter on a PVC strip, which is sliced with adjustable butter-cutting wires.

Double cooling jacket for connection to ice water or mains water.

Interchangeable heads.

Mobile machine, easy to use, dismantle and clean.

## TECHNICAL DETAILS

L = 218.5 cm W = 93.5 cm H = 173 cm Weight 241 kg

Usable belt length = 70 cm

Instantaneous output: 500 kg/h depending on format and stopping frequencies

Supplied with forming head for sheets (20 mm x 230 mm)

Water consumption if connected from 0 to 1,000L/h depending on setting.

## OPTIONS

Custom molding heads

On-demand format design



AVEDEMIL ZONE INDUSTRIELLE NORD CHEMIN DES PINATS 16700 RUFFEC

Tel : 00 +33 (0)5 45 89 11 48 Fax : 00 +33 (0)5 45 89 15 02

Mail : [contact@avedemil.com](mailto:contact@avedemil.com) Site web : [www.avedemil.com](http://www.avedemil.com)

# BUTTER AND CHEESE EXTRUDER 750KG/h nominal



Protective grille



Double screw hopper



Custom head option



Adjustable slicing



Easy to dismantle for cleaning

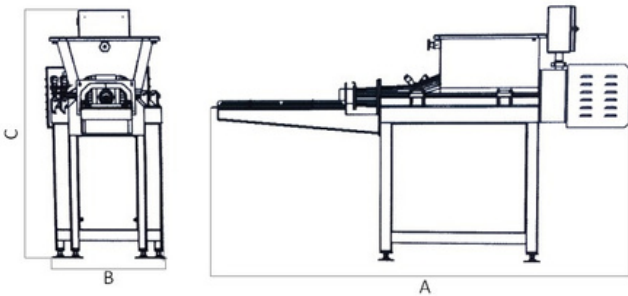
## FOR WHAT USE?

*Photos for information only*

This extruder can mold various shapes, from 80 g to 2 kg. This pusher, also known as an extruder, forms a strand on a PVC strip, which is cut with adjustable cutting wires. Interchangeable heads. Double jacket for cooling or reheating, with the option of connecting to lukewarm or mains water. Mobile machine, easy to use, dismantle and clean

## TECHNICAL DETAILS

## OPTIONS



A = 240 cm B = 69 cm C = 143 cm weight 446kg  
Usable belt length = 70 cm

Custom molding heads  
On-demand format design

Supplied with 3 round heads diam. 48, 65 and 80 mm  
Water consumption when connected from 0 to 1,000 l/h depending on setting

