

MATURATION TANK MIX

FOR WHAT USE ?

Used for maturing mixtures (rehydration of compounds) for ice cream, for example.

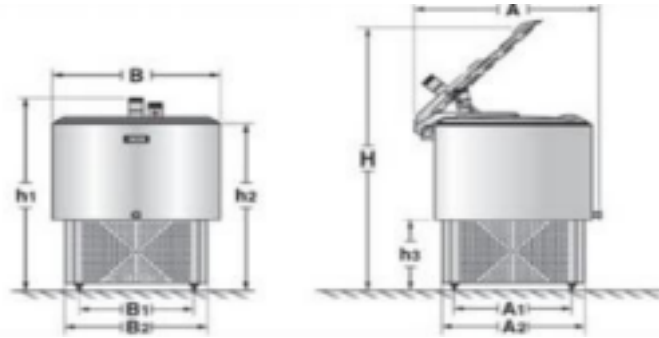


Photo for information only



TECHNICAL DETAILS

- Electronic thermostat temperature control.
- Mixing by reinforced agitation with double fin tool.



OPTIONS

Cart on wheels

	Capacity	Dimensions (mm)										Weight (kg)
		A	A1	A2	B	B1	B2	H	h1	h2	h3	
TF50	50	560	280	365	520	280	365	1350	1050	820	440	40
TF100	100	720	330	400	680	410	490	1660	1190	980	420	60
TF200	200	1000	530	610	880	530	610	1760	1220	990	420	100
TF300	300	1100	530	600	980	530	610	1900	1250	1030	420	110

